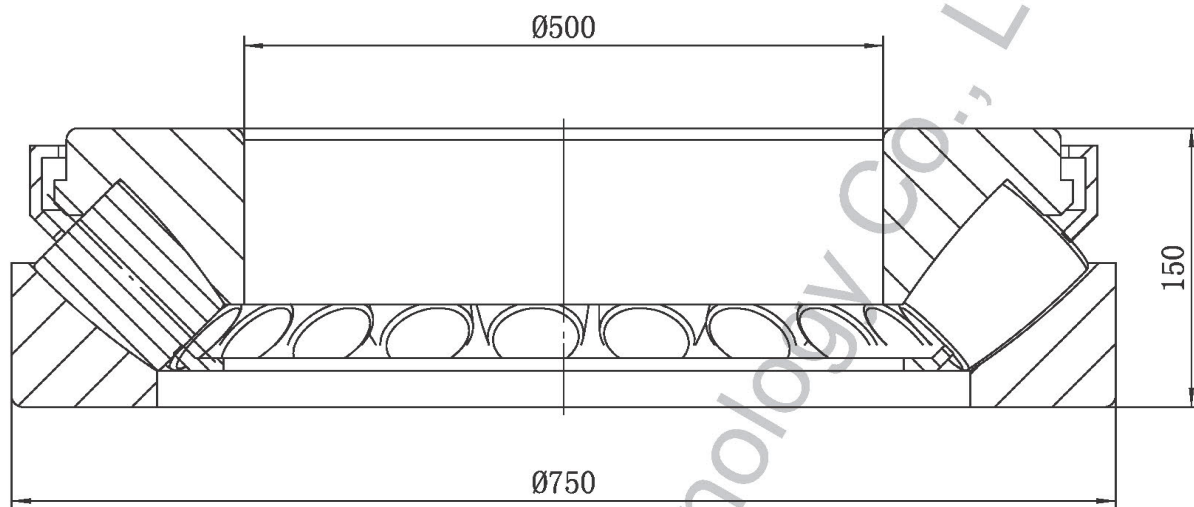


293/500E



- 1 rated load: $C_r = 4700 \text{ KN}$; $C_{or} = 22600 \text{ KN}$;
- 2 Heat treatment according to the current standards

Remark:

1. Luoyang JCB Bearing Technology Co., Ltd is a technical Inc, specialize in designing and manufacturing thrust bearing, we can design and manufacture all kinds of thrust bearing according to client's requirement.
2. This drawing is reference for user, if you need formal drawing, please contact with us sales@jcb-bearing.com, the official drawing will be submitted after order confirmation.



| | | | | | |
|--------|--------------|-----|---------------------------------|--|-------------|
| 07 | cage | | STEEL | | |
| 04 | roller | | steel GCr15-GB/T18254 | | |
| 02 | shaft washer | | steel GCr15SiMn-GB/T18254 | | |
| 01 | house washer | | steel GCr15SiMn-GB/T18254 | | Weight (kg) |
| serial | Name | Qty | Material | 231 | |
| | | | | 293/500E | |
| | | | Thrust spherical roller bearing | Add: No.3 Lianmeng road, Luoyang, Henan, China. Postal: 471003 Website: www.jcb-bearing.com Phone: +86-379-68611678 www.sphericalrollerthrustbearing.com Fax: +86-379-68611679 .com E-mail: sales@jcb-bearing.com | |
| | | | | Luoyang JCB Bearing Technology Co., Ltd | |